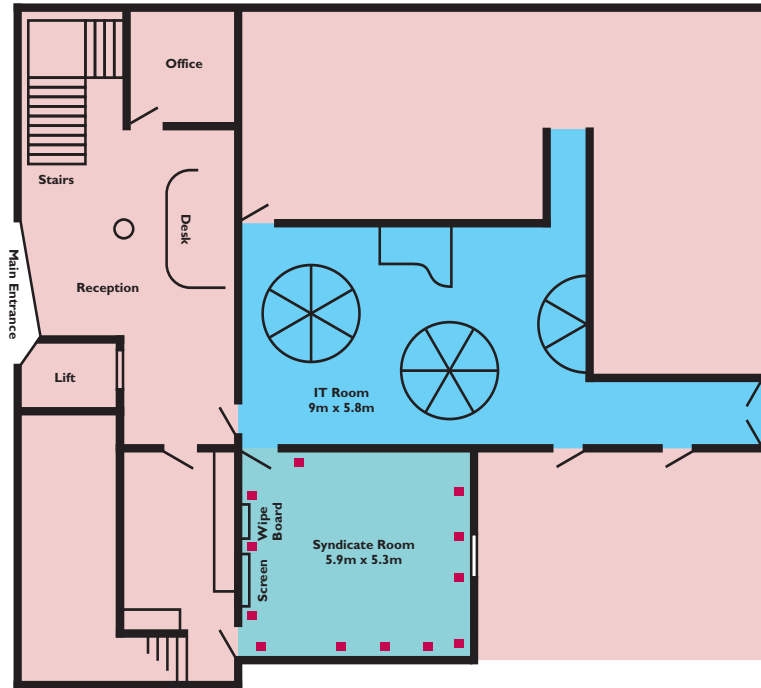


FLOOR PLANS

Ground Floor



All sizes are approx. ■ = Double 3 Pin Socket Points

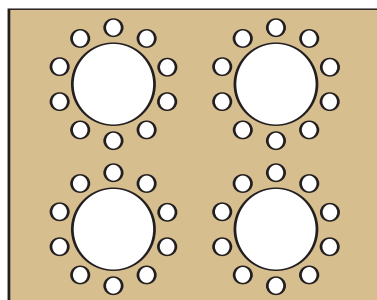
1st Floor



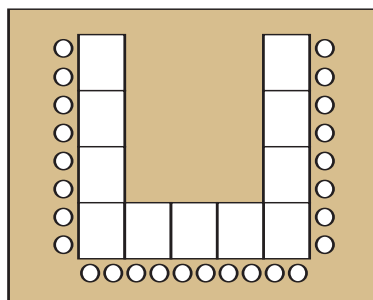
All sizes are approx. ■ = Double 3 Pin Socket Points T = Telephone Socket Points B = Broadband Socket



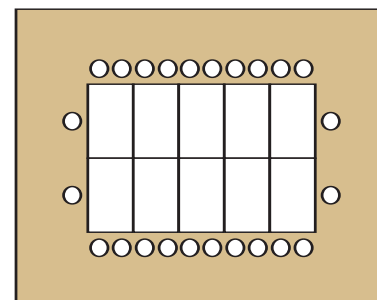
LAYOUTS & CAPACITIES



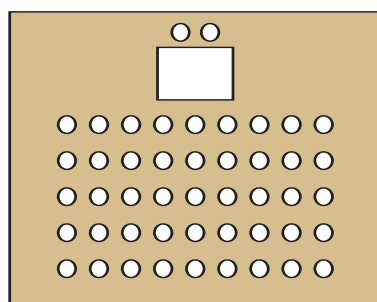
Cabaret Style



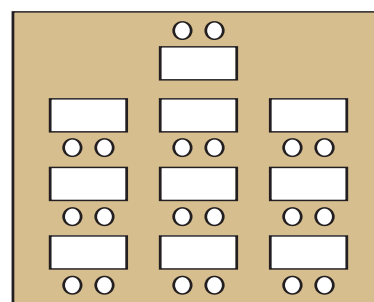
U-Shape Style



Boardroom Style



Theatre Style



Classroom Style

Room

Capacity

Main Conference Suite

Cabaret - 90
 U-Shape - 27
 Boardroom/Conference - 30
 Theatre - 160
 Classroom - 40

Meeting Room 1*

Boardroom - 8

Meeting Room 2*

Boardroom - 8

Meeting Room 3

Theatre - 20
 Boardroom - 16
 U-Shape - 12

*These rooms can be opened into one larger room; two sets of equipment are provided.